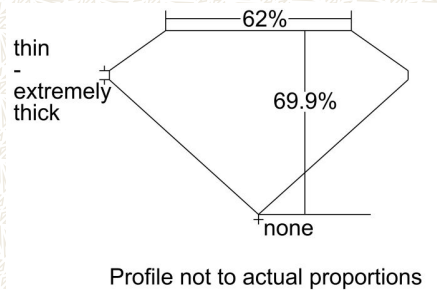


GIA COLORED DIAMOND REPORT

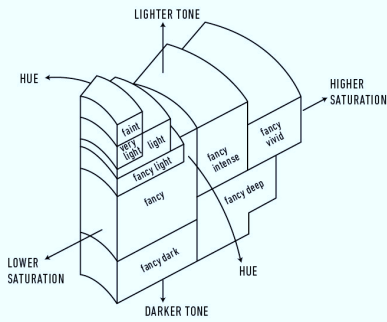
May 25, 2018
 Report Type Grading Report
 GIA Report Number 2195402063
 Shape and Cutting Style Cut-Cornered Rectangular Modified Brilliant
 Measurements 13.44 x 10.89 x 7.61 mm
 Carat Weight 10.05 carat
 Color Grade Fancy Vivid Yellow
 Color Origin Natural
 Color Distribution Even
 Clarity Grade VS2
 Proportions:



Polish Excellent
 Symmetry Good
 Fluorescence None
 Comments: Additional extra facets are not shown.

ADDITIONAL INFORMATION

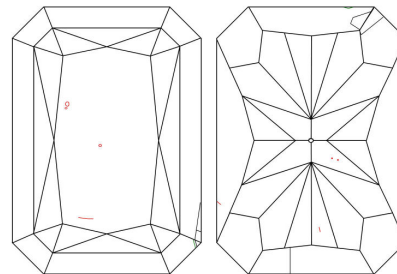
GIA COLORED DIAMOND SCALE



GIA CLARITY SCALE

FLAWLESS
INTERNALLY FLAWLESS
VVS ₁
VVS ₂
VS ₁
VS ₂
SI ₁
SI ₂
I ₁
I ₂
I ₃

CLARITY CHARACTERISTICS



KEY TO SYMBOLS*

- Crystal
- △ Extra Facet
- ~ Feather
- Pinpoint
- ▲ Natural

* Red symbols denote internal characteristics (inclusions). Green or black symbols denote external characteristics (blemishes). Diagram is an approximate representation of the diamond, and symbols shown indicate type, position, and approximate size of clarity characteristics. All clarity characteristics may not be shown. Details of finish are not shown.



The results documented in this report refer only to the diamond described, and were obtained using the techniques and equipment used by GIA at the time of examination. This report is not a guarantee or valuation. For additional information and important limitations and disclaimers, please see www.gia.edu/terms or call +1 800 421 7250 or +1 760 603 4500. ©2014 Gemological Institute of America, Inc.

reportcheck.gia.edu



THE SECURITY FEATURES IN THIS DOCUMENT, INCLUDING THE HOLOGRAM, SECURITY SCREEN AND MICROPRINT LINES, IN ADDITION TO THOSE NOT LISTED, EXCEED DOCUMENT SECURITY INDUSTRY GUIDELINES.