



GIA
GEMOLOGICAL INSTITUTE OF AMERICA®

COLORED DIAMOND GRADING REPORT

GIA REPORT 2155397719

April 19, 2013

Shape and Cutting Style **Cut-Cornered Square Modified Brilliant**

Measurements 10.85 x 10.74 x 6.40 mm

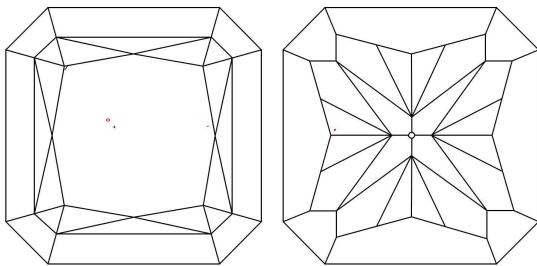
GRADING RESULTS

Carat Weight **7.06 carat**
 Color **NATURAL**
 Origin **FANCY INTENSE**
 Grade **YELLOW**
 Distribution **Even**
 Clarity Grade **VS2**

ADDITIONAL GRADING INFORMATION

Finish
 Polish **Good**
 Symmetry **Good**
 Fluorescence **Faint**
 Comments:
 None

REFERENCE DIAGRAMS



KEY TO SYMBOLS

- Crystal
- ∖ Needle
- Pinpoint
- ^ Extra Facet

Red symbols denote internal characteristics (inclusions). Green or black symbols denote external characteristics (blemishes). Diagram is an approximate representation of the diamond, and symbols shown indicate type, position, and approximate size of clarity characteristics. All clarity characteristics may not be shown. Details of finish are not shown.

Facsimile

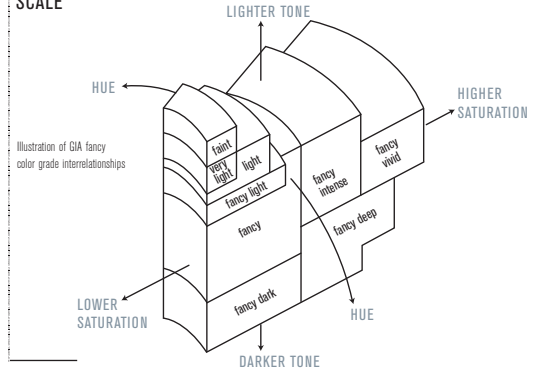
5355 Armada Drive | Carlsbad, CA 92008-4602
 T: 760-603-4500 | F: 760-603-1814

GIA Laboratories
 Bangkok Carlsbad Gaborone
 Johannesburg Mumbai New York

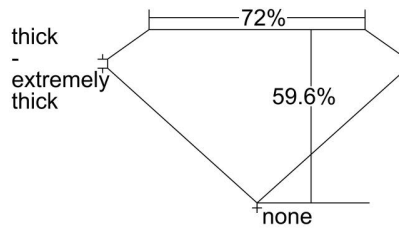
www.gia.edu

GIA CLARITY SCALE	
FLAWLESS	
INTERNALLY FLAWLESS	
VERY VERY SLIGHTLY INCLUDED	VVS ₁
	VVS ₂
VERY SLIGHTLY INCLUDED	VS ₁
	VS ₂
SLIGHTLY INCLUDED	S ₁
	S ₂
	I ₁
INCLUDED	I ₂
	I ₃

GIA COLORED DIAMOND SCALE



510118905885



Profile not to actual proportions

This is a digital representation of the original GIA Report. To verify the information herein, please refer to reportscheck.gia.edu. This Report is not a guarantee, valuation or appraisal and contains only the characteristics of the diamond described herein after it has been graded, tested, examined and analyzed by the laboratory providing this Report ("GIA") and/or has been inscribed using the techniques and equipment used by GIA at the time of the examination and/or inscription. Inscriptions reported in this document are not a guarantee, validation, or warranty of a diamond's quality, country of origin or source; or that the diamond will be identifiable by the inscription in the future (since inscriptions can be removed). GIA makes no representation concerning any trademark, word, or symbol which is inscribed by GIA or which is identified on this Report. The recipient of this Report may wish to consult a credentialed jeweler or gemologist about the information contained herein.

For terms, conditions, and limitations, see www.gia.edu/terms or call 800-421-7250 or 760-603-4500.

The security features in this document exceed document security industry guidelines.



GIA
GEMOLOGICAL INSTITUTE OF AMERICA®

COLORED DIAMOND GRADING REPORT

April 19, 2013

Shape and Cutting Style **Cut-Cornered Square Modified Brilliant**

Measurements 10.89 x 10.63 x 6.28 mm

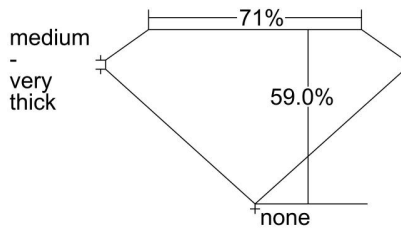
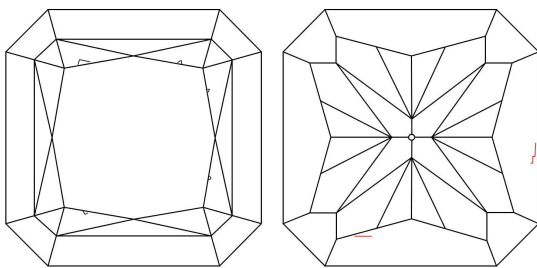
GRADING RESULTS

Carat Weight **6.56 carat**
 Color
 Origin **NATURAL**
 Grade **FANCY INTENSE**
 **YELLOW**
 Distribution **Even**
 Clarity Grade **VS1**

ADDITIONAL GRADING INFORMATION

Finish
 Polish **Good**
 Symmetry **Good**
 Fluorescence **None**
 Comments:
 Additional extra facets are not shown.

REFERENCE DIAGRAMS



Profile not to actual proportions

KEY TO SYMBOLS

- ~ Feather
- ^ Extra Facet

Red symbols denote internal characteristics (inclusions). Green or black symbols denote external characteristics (blemishes). Diagram is an approximate representation of the diamond, and symbols shown indicate type, position, and approximate size of clarity characteristics. All clarity characteristics may not be shown. Details of finish are not shown.

Facsimile

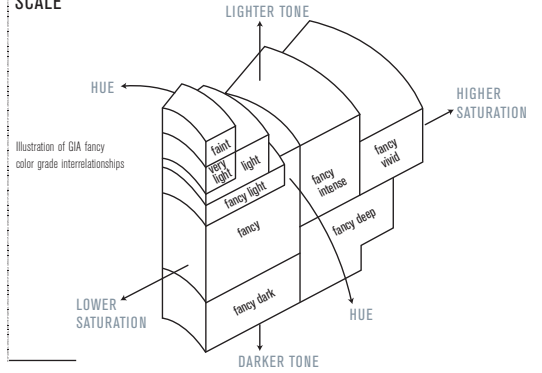
5355 Armada Drive | Carlsbad, CA 92008-4602
 T: 760-603-4500 | F: 760-603-1814

GIA Laboratories
 Bangkok Carlsbad Gaborone
 Johannesburg Mumbai New York

www.gia.edu

GIA CLARITY SCALE	
FLAWLESS	VERY VERY SLIGHTLY INCLUDED
INTERNALLY FLAWLESS	
VVS ₁	VERY SLIGHTLY INCLUDED
VVS ₂	
VS ₁	SLIGHTLY INCLUDED
VS ₂	
S ₁	INCLUDED
S ₂	
I ₁	
I ₂	INCLUDED
I ₃	

GIA COLORED DIAMOND SCALE



110218906574

This is a digital representation of the original GIA Report. To verify the information herein, please refer to reportcheck.gia.edu. This Report is not a guarantee, valuation or appraisal and contains only the characteristics of the diamond described herein after it has been graded, tested, examined and analyzed by the laboratory providing this Report ("GIA") and/or has been inscribed using the techniques and equipment used by GIA at the time of the examination and/or inscription. Inscriptions reported in this document are not a guarantee, validation, or warranty of a diamond's quality, country of origin or source; or that the diamond will be identifiable by the inscription in the future (since inscriptions can be removed). GIA makes no representation concerning any trademark, word, or symbol which is inscribed by GIA or which is identified on this Report. The recipient of this Report may wish to consult a credentialed jeweler or gemologist about the information contained herein.

For terms, conditions, and limitations, see www.gia.edu/terms or call 800-421-7250 or 760-603-4500.

The security features in this document exceed document security industry guidelines.

GIA REPORT 1152397677



GIA
GEMOLOGICAL INSTITUTE OF AMERICA®

COLORED DIAMOND GRADING REPORT

5355 Armada Drive | Carlsbad, CA 92008-4602
T: 760-603-4500 | F: 760-603-1814

GIA Laboratories
Bangkok Carlsbad Gaborone
Johannesburg Mumbai New York

www.gia.edu

Facsimile

GIA REPORT 2155397637

April 19, 2013

Shape and Cutting Style **Cut-Cornered Square Modified Brilliant**

Measurements 10.18 x 9.75 x 6.57 mm

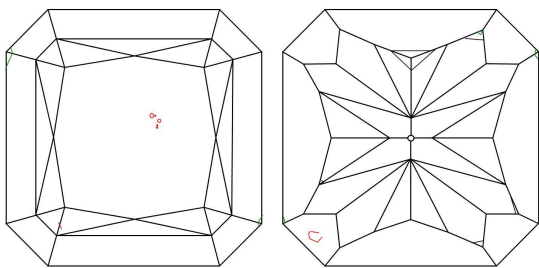
GRADING RESULTS

Carat Weight **6.08 carat**
Color
Origin **NATURAL**
Grade **FANCY**
..... **YELLOW**
Distribution **Even**
Clarity Grade **VS1**

ADDITIONAL GRADING INFORMATION

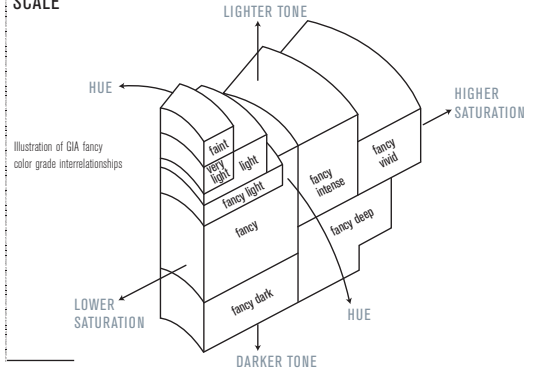
Finish
Polish Good
Symmetry Good
Fluorescence Medium Blue
Comments:
Additional pinpoints are not shown.

REFERENCE DIAGRAMS

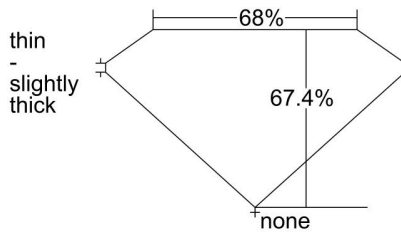


GIA CLARITY SCALE	
FLAWLESS	VERY VERY SLIGHTLY INCLUDED
INTERNALLY FLAWLESS	
VVS ₁	VERY SLIGHTLY INCLUDED
VVS ₂	
VS ₁	SLIGHTLY INCLUDED
VS ₂	
S ₁	INCLUDED
S ₂	
I ₁	
I ₂	INCLUDED
I ₃	

GIA COLORED DIAMOND SCALE



210518905929



Profile not to actual proportions

KEY TO SYMBOLS

- Crystal
- ~ Feather
- Pinpoint
- ^ Natural
- ^ Extra Facet

This is a digital representation of the original GIA Report. To verify the information herein, please refer to reportscheck.gia.edu. This Report is not a guarantee, valuation or appraisal and contains only the characteristics of the diamond described herein after it has been graded, tested, examined and analyzed by the laboratory providing this Report ("GIA") and/or has been inscribed using the techniques and equipment used by GIA at the time of the examination and/or inscription. Inscriptions reported in this document are not a guarantee, validation, or warranty of a diamond's quality, country of origin or source; or that the diamond will be identifiable by the inscription in the future (since inscriptions can be removed). GIA makes no representation concerning any trademark, word, or symbol which is inscribed by GIA or which is identified on this Report. The recipient of this Report may wish to consult a credentialed jeweler or gemologist about the information contained herein.

For terms, conditions, and limitations, see www.gia.edu/terms or call 800-421-7250 or 760-603-4500.



Red symbols denote internal characteristics (inclusions). Green or black symbols denote external characteristics (blemishes). Diagram is an approximate representation of the diamond, and symbols shown indicate type, position, and approximate size of clarity characteristics. All clarity characteristics may not be shown. Details of finish are not shown.



GIA
GEMOLOGICAL INSTITUTE OF AMERICA®

COLORED DIAMOND GRADING REPORT

GIA REPORT 2155396711

April 17, 2013

Shape and Cutting Style **Cut-Cornered
Rectangular Modified Brilliant**

Measurements 14.04 x 12.68 x 8.40 mm

GRADING RESULTS

Carat Weight **14.31 carat**

Color

Origin **NATURAL**

Grade **FANCY**

..... **YELLOW**

Distribution **Even**

Clarity Grade **VVS2**

ADDITIONAL GRADING INFORMATION

Finish

Polish **Good**

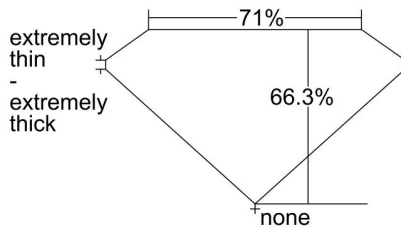
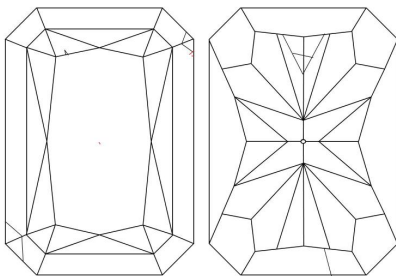
Symmetry **Good**

Fluorescence **Faint**

Comments:

None

REFERENCE DIAGRAMS



Profile not to actual proportions

KEY TO SYMBOLS

- Needle
- Feather
- Extra Facet

Red symbols denote internal characteristics (inclusions). Green or black symbols denote external characteristics (blemishes). Diagram is an approximate representation of the diamond, and symbols shown indicate type, position, and approximate size of clarity characteristics. All clarity characteristics may not be shown. Details of finish are not shown.

Facsimile

5355 Armada Drive | Carlsbad, CA 92008-4602
T: 760-603-4500 | F: 760-603-1814

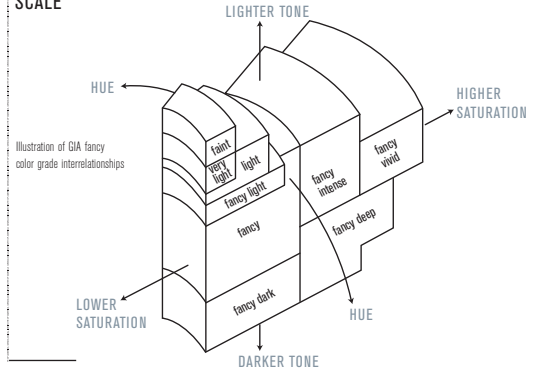
GIA Laboratories

Bangkok Carlsbad Gaborone
Johannesburg Mumbai New York

www.gia.edu

GIA CLARITY SCALE	
FLAWLESS	
INTERNALLY FLAWLESS	
VERY VERY SLIGHTLY INCLUDED	VVS ₁
	VVS ₂
VERY SLIGHTLY INCLUDED	VS ₁
	VS ₂
SLIGHTLY INCLUDED	S ₁
	S ₂
	I ₁
INCLUDED	I ₂
	I ₃

GIA COLORED DIAMOND SCALE



510118893130

This is a digital representation of the original GIA Report. To verify the information herein, please refer to reportcheck.gia.edu. This Report is not a guarantee, valuation or appraisal and contains only the characteristics of the diamond described herein after it has been graded, tested, examined and analyzed by the laboratory providing this Report ("GIA") and/or has been inscribed using the techniques and equipment used by GIA at the time of the examination and/or inscription. Inscriptions reported in this document are not a guarantee, validation, or warranty of a diamond's quality, country of origin or source; or that the diamond will be identifiable by the inscription in the future (since inscriptions can be removed). GIA makes no representation concerning any trademark, word, or symbol which is inscribed by GIA or which is identified on this Report. The recipient of this Report may wish to consult a credentialed jeweler or gemologist about the information contained herein.

For terms, conditions, and limitations, see www.gia.edu/terms or call 800-421-7250 or 760-603-4500.

The security features in this document exceed document security industry guidelines.



COLORED DIAMOND GRADING REPORT

GIA REPORT 2155397601

April 19, 2013

Shape and Cutting Style **Cut-Cornered
Rectangular Modified Brilliant**

Measurements 11.04 x 10.23 x 6.32 mm

GRADING RESULTS

Carat Weight **6.19 carat**

Color

Origin **NATURAL**

Grade **FANCY INTENSE**

..... **YELLOW**

Distribution **Even**

Clarity Grade **INTERNALLY FLAWLESS**

ADDITIONAL GRADING INFORMATION

Finish

Polish **Good**

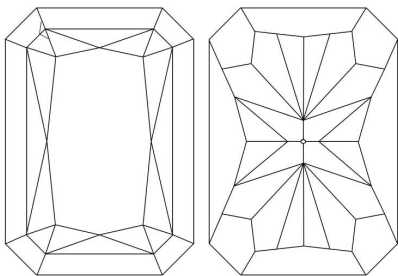
Symmetry **Good**

Fluorescence **None**

Comments:

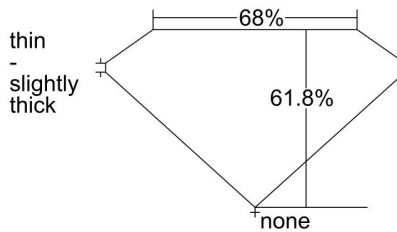
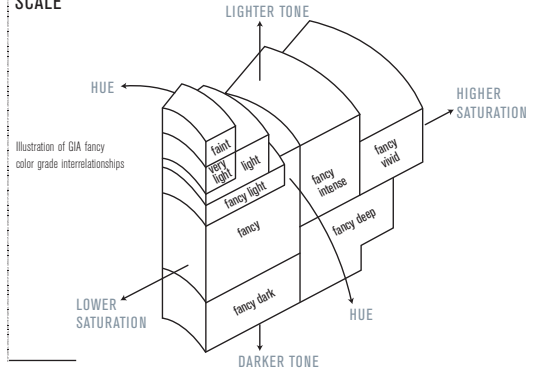
Minor details of polish are not shown.

REFERENCE DIAGRAMS



GIA CLARITY SCALE	
FLAWLESS	
INTERNALLY FLAWLESS	
VERY VERY SLIGHTLY INCLUDED	VVS ₁
	VVS ₂
VERY SLIGHTLY INCLUDED	VS ₁
	VS ₂
SLIGHTLY INCLUDED	S ₁
	S ₂
INCLUDED	I ₁
	I ₂
	I ₃

GIA COLORED DIAMOND SCALE



Profile not to actual proportions

KEY TO SYMBOLS

^ Extra Facet

This is a digital representation of the original GIA Report. To verify the information herein, please refer to reportcheck.gia.edu. This Report is not a guarantee, valuation or appraisal and contains only the characteristics of the diamond described herein after it has been graded, tested, examined and analyzed by the laboratory providing this Report ("GIA") and/or has been inscribed using the techniques and equipment used by GIA at the time of the examination and/or inscription. Inscriptions reported in this document are not a guarantee, validation, or warranty of a diamond's quality, country of origin or source; or that the diamond will be identifiable by the inscription in the future (since inscriptions can be removed). GIA makes no representation concerning any trademark, word, or symbol which is inscribed by GIA or which is identified on this Report. The recipient of this Report may wish to consult a credentialed jeweler or gemologist about the information contained herein.

For terms, conditions, and limitations, see www.gia.edu/terms or call 800-421-7250 or 760-603-4500.



Red symbols denote internal characteristics (inclusions). Green or black symbols denote external characteristics (blemishes). Diagram is an approximate representation of the diamond, and symbols shown indicate type, position, and approximate size of clarity characteristics. All clarity characteristics may not be shown. Details of finish are not shown.