

GIA NATURAL COLORED DIAMOND REPORT

December 07, 2020

Report Type Grading Report

GIA Report Number 2215314165

Shape and Cutting Style Cut-Cornered Rectangular
Modified Brilliant

Measurements 17.63 x 15.86 x 9.33 mm

Carat Weight 21.94 carat

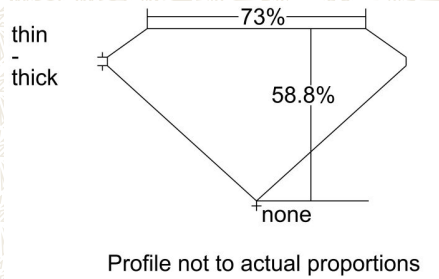
Color Grade Fancy Intense Pink

Color Origin Natural

Color Distribution Even

Clarity Grade VVS2

Proportions:



Polish Good

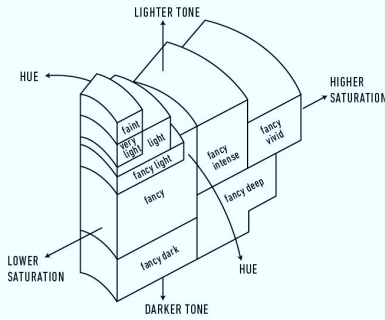
Symmetry Good

Fluorescence None

Comments: Clarity grade is based on internal graining that is not shown.

ADDITIONAL INFORMATION

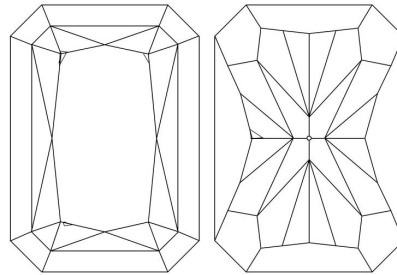
GIA COLORED DIAMOND SCALE



GIA CLARITY SCALE

FLAWLESS
INTERNALLY FLAWLESS
VVS ₁
VVS ₂
VS ₁
VS ₂
SI ₁
SI ₂
I ₁
I ₂
I ₃

CLARITY CHARACTERISTICS



KEY TO SYMBOLS*

^ Extra Facet

* Red symbols denote internal characteristics (inclusions). Green or black symbols denote external characteristics (blemishes). Diagram is an approximate representation of the diamond, and symbols shown indicate type, position, and approximate size of clarity characteristics. All clarity characteristics may not be shown. Details of finish are not shown.



The results documented in this report refer only to the diamond described, and were obtained using the techniques and equipment available to GIA at the time of examination. This report is not a guarantee or valuation. For additional information and important limitations and disclaimers, please see GIA.edu/terms or call +1 800 421 7250 or +1 760 603 4500. ©2017 Gemological Institute of America, Inc.

reportcheck.gia.edu



THE SECURITY FEATURES IN THIS DOCUMENT, INCLUDING THE HOLOGRAM, SECURITY SCREEN AND MICROPRINT LINES, IN ADDITION TO THOSE NOT LISTED, EXCEED DOCUMENT SECURITY INDUSTRY GUIDELINES.